

TNM-3620TDY

Temperature detection thermal camera



FC |  | CE | ENEC

Key Features

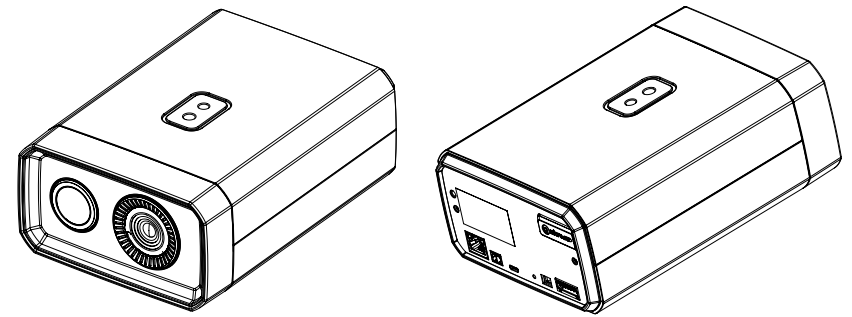
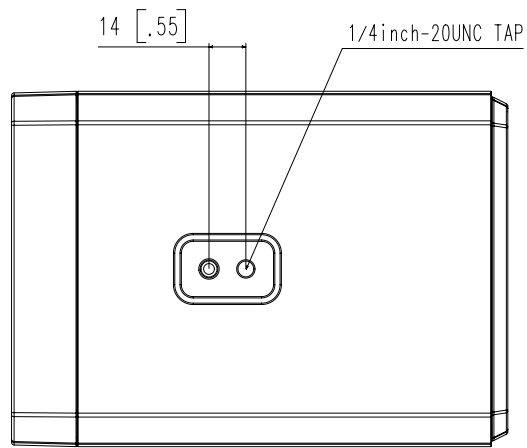
- Bi-spectrum : QVGA thermal & 2MP visible sensor
- Built-in 4.7mm fixed lens (thermal), 4mm fixed lens (visible)
- Two temperature detection modes
 - Estimated Body Temperature Mode
: 30~45°C (86~113°F) / $\pm 0.5^{\circ}\text{C}$ ($\pm 0.3^{\circ}\text{C}$ with blackbody)
 - Normal Radiometric mode
: $-20\sim 130^{\circ}\text{C}$ ($-4\sim 266^{\circ}\text{F}$) / $\pm 5^{\circ}\text{C}$ ($\leq 100^{\circ}\text{C}$), $\pm 20\%$ ($> 100^{\circ}\text{C}$)
- AI based face and temperature detection analytics
- Micro SD/SDHC/SDXC memory 1 slot (Max. 256GB)
- PoE+ (IEEE802.3at), 12VDC

| Video | Thermal | Visible |
|-----------------------------|--|---|
| Imaging Device | Uncooled micro bolometer (320x240) | 1/2.8" 2MP CMOS |
| Resolution | 1280x960, 640x480, 320x240 | 1920x1080, 1280x1024, 1280x960, 1280x720, 1024x768, 800x600, 800x448, 720x576, 720x480, 640x480, 640x360, 320x240 |
| Max. Framerate | H.265/H.264: Max. 30fps/25fps(60Hz/50Hz) MJPEG: Max. 30fps/25fps(60Hz/50Hz) | |
| NETD | <60mK | None |
| Pixel Size | 12 μ m | None |
| Min. Illumination | None | Color: 0.05 lux(F1.6, 1/30sec) B/W: 0.005 lux(F1.6, 1/30sec) |
| Video Out | CVBS: 1.0 Vp-p / 75 Ω composite, 720x480(N), 720x576(P) for installation USB : Micro USB Type B, 1280x720 for installation | |
| Lens | | |
| Focal Length (Zoom Ratio) | 4.7mm fixed focal | 4mm fixed focal |
| Max. Aperture Ratio | F1.0 | F1.6 |
| Angular Field of View | H: 50.0 $^{\circ}$, V: 36.4 $^{\circ}$, D: 65.3 $^{\circ}$ | H: 87.6, V: 46.4 $^{\circ}$, D: 104.5 $^{\circ}$ |
| Min. Object Distance | 1m(3.28ft) | None |
| Focus Control | Fixed | |
| Operational | | |
| Camera Title | Displayed up to 85 characters | |
| Day & Night | None | Auto(ICR) |
| Backlight Compensation | None | BLC, WDR, SDR |
| Wide Dynamic Range | None | extremeWDR(150dB) |
| Digital Noise Reduction | None | SSNR V |
| Digital Image Stabilization | Support(built-in gyro sensor) | |
| Motion Detection | 8ea, 8point polygonal zones | |
| Privacy Masking | 32ea, polygonal zones - Color: Grey/Green/Red/Blue/Black/White - Mosaic | |
| Gain Control | None | Low / Middle / High |
| White Balance | None | ATW / AWC / Manual / Indoor / Outdoor |
| LDC | None | Support |
| Electronic Shutter Speed | None | Minimum / Maximum / Anti flicker(2~1/12,000sec) |
| Video Rotation | Flip, Mirror | |
| Analytics | EBT mode : Temperature detection, Blackbody error Normal mode : Directional detection, Motion detection, Enter/Exit, Tampering, Virtual line, Audio detection, Temperature detection *EBT : Estimated Body Temperature | |
| Alarm I/O | Input 1ea / Output 2ea | |
| Alarm Triggers | Analytics, Network disconnect, Alarm input | |

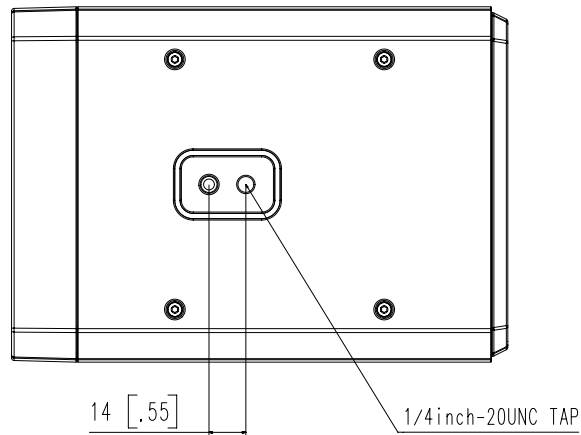
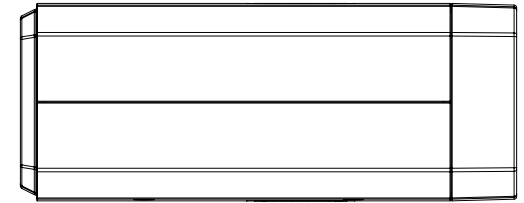
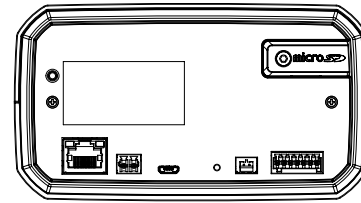
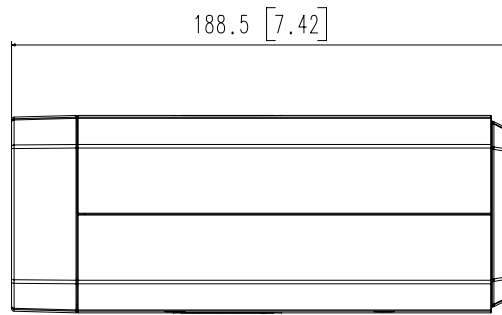
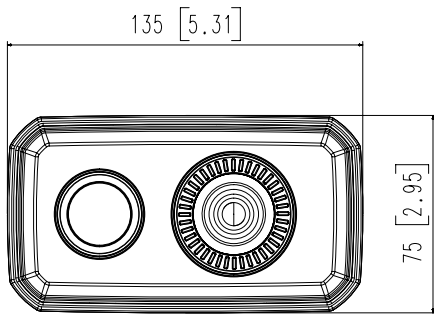
| | | |
|--|---|---------------------------------|
| Alarm Events | File upload via FTP and e-mail Notification via e-mail SD/SDHC/SDXC or NAS recording at event triggers Alarm output Handover (normal mode only) Audio playback Beep alarm (EBT mode only) | |
| Audio In | Selectable(mic in/line in) Supply voltage: 2.5VDC(4mA), Input impedance: 2K Ohm | |
| Audio Out | Line out, Max.output level: 1Vrms | |
| Color Palettes | EBT Mode (thermal face detection) : Whitehot EBT (visible face detection) & Normal mode : Whitehot, Blackhot, Rainbow, Rainbow2, Sepia, Red, Iron, Custom | None |
| Radiometry | | |
| Temperature Detect Range | Estimated body temperature mode : 30~45°C(86°F~113°F) Normal mode : -20~+130°C(-4 ° F~+266 ° F) | None |
| Temperature Accuracy | Estimated body temperature mode : ±0.5°C(±0.3°C with Blackbody) Normal mode : ±5 ° C(≤100 ° C), ±20%(>100 ° C) | None |
| Temperature Detection | 3ea rectangular (normal mode) | None |
| Additional | Hybrid palettes (normal mode), Spot temperature reading (normal mode) | None |
| Network | | |
| Ethernet | Metal shielded RJ-45(10/100BASE-T) | |
| Video Compression | H.265/H.264: Main/Baseline/High, MJPEG | |
| Audio Compression | G.711 u-law /G.726 Selectable G.726(ADPCM) 8KHz, G.711 8KHz G.726: 16Kbps, 24Kbps, 32Kbps, 40Kbps AAC-LC: 48Kbps at 16KHz | |
| Smart Codec | WiseStream II | Manual(5ea area), WiseStream II |
| Bitrate Control | H.264/H.265: CBR or VBR MJPEG: VBR | |
| Streaming | Unicast(20 users) / Multicast Multiple streaming(Up to 6 profiles) | |
| Protocol | IPv4, IPv6, TCP/IP, UDP/IP, RTP(UDP), RTP(TCP), RTCP,RTSP, NTP, HTTP, HTTPS, SSL/TLS, DHCP, FTP, SMTP, ICMP, IGMP, SNMPv1/v2c/v3(MIB-2), ARP, DNS, DDNS, QoS, PIM-SM, UPnP, Bonjour, LLDP | |
| Security | HTTPS(SSL) login authentication Digest login authentication IP address filtering User access log 802.1X authentication(EAP-TLS, EAP-LEAP) Device certificate(Hanwha Techwin Root CA) | |
| Application Programming Interface | ONVIF Profile S/T SUNAPI(HTTP API) | |
| General | | |
| Webpage Language | English, Korean, Chinese, French, Italian, Spanish, German, Japanese, Russian, Swedish, Portuguese, Czech, Polish, Turkish, Dutch, Hungarian, Greek | |

| | |
|---------------------------------------|--|
| Edge Storage | Micro SD/SDHC/SDXC 1slot 256GB |
| Memory | 4608MB RAM, 512MB Flash |
| Environmental & Electrical | |
| Operating Temperature / Humidity | EBT mode : +10°C~+35°C(+50°F~+95°F) / Less than 95% RH Normal mode : -10°C~+55°C(+14°F~+131°F) / Less than 95% RH |
| Storage Temperature / Humidity | -30°C~+60°C(-22°F~+140°F) / Less than 95% RH |
| Input Voltage | PoE+(IEEE802.3at, Class4), 12VDC |
| Power Consumption | PoE+: Max. 17.0W, typical 12.5W 12VDC: Max. 14.5W, typical 11.0W |
| Mechanical | |
| Color / Material | White / Aluminum |
| RAL Code | RAL9003 |
| Product Dimensions / Weight | 135(W)x75(H)x188.5(D)mm, (5.31x2.95x7.42"), 1.7kg(3.77lb) |

- The latest product information / specification can be found at hanwha-security.com
- Design and specifications are subject to change without notice.
- Wisenet is the proprietary brand of Hanwha Techwin, formerly known as Samsung Techwin.



[ISO VIEW SCALE 1:1]



| | | |
|----------------|-------------|-------------|
| 3 | 파생 MODEL2 | |
| 2 | 파생 MODEL1 | |
| 1 | BASIC MODEL | '20.08.20 |
| No. | MODEL NAME | TNM-3620TDY |
| Unit:mm[inch] | | SCALE:3/2 |
| Hanwha Techwin | | |